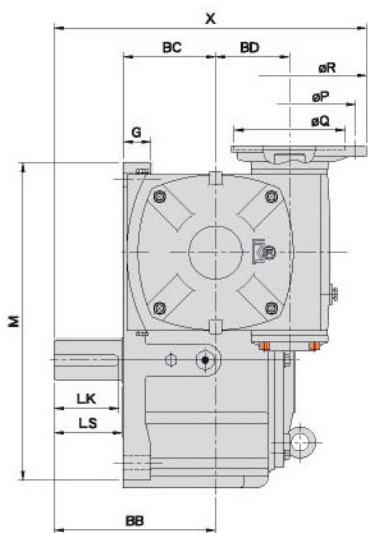
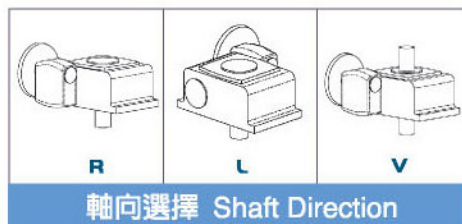
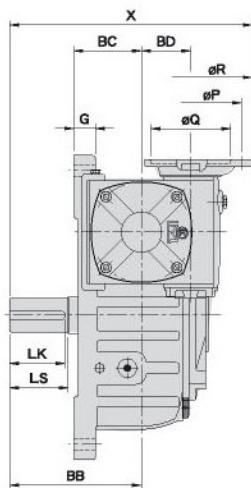


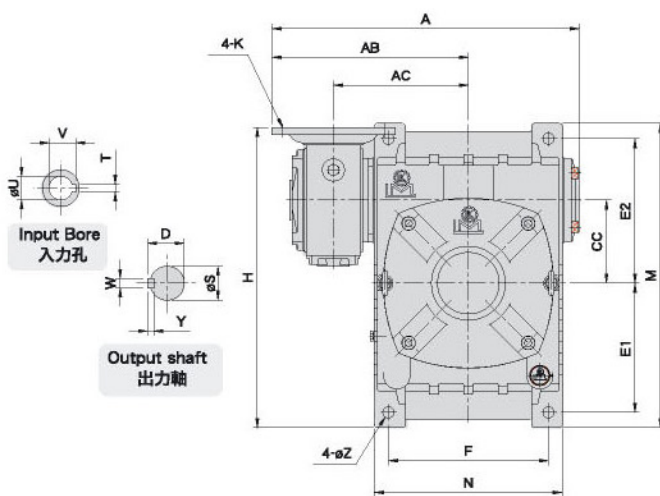
MODEL : UHM



UHM155-175



UHM80-135



尺寸表 Dimension(m/m)

| 減速比 RATIO | 馬力 HP | 馬達盤 IEC MOTOR FLANGE | | | | | | | | | | 腳座 FOOT STOCK | | | | | | | 入力孔 INPUT BORE | | | 出力軸 OUTPUT SHAFT | | | | 重量 Weight (KG) | | | | |
|--------------|----------|-------------------------|-----|-----|-----|-----|-----|-----|-----|-----|-----|------------------|-----|-----|-----|-----|-----|-----|-------------------|-----|----|---------------------|------|-----|------|----------------------|----|---------|-----------|-------|
| | | A | AB | AC | X | BB | BC | BD | CC | H | P | Q | R | K | E1 | E2 | F | M | N | G | Z | V | T | U | LS | | S | D | WxYxLK | |
| 80 | 1/4 | 323 | 216 | 136 | 270 | 140 | 70 | 50 | 80 | 310 | 130 | 110 | 160 | M8 | 130 | 150 | 140 | 315 | 183 | 20 | 15 | 12.7 | 4 | 11 | 65 | 32 | 35 | 10x8x60 | 25.4 | |
| 100 | 1/2 | 370 | 238 | 158 | 310 | 170 | 90 | 60 | 100 | 365 | 130 | 110 | 160 | M8 | 155 | 180 | 190 | 380 | 230 | 30 | 15 | 12.7 | 4 | 11 | 75 | 38 | 41 | 10x8x70 | 41.2 | |
| 120 | 1 | 1/2 | 424 | 265 | 185 | 340 | 190 | 100 | 70 | 120 | 432 | 130 | 110 | 160 | M8 | 185 | 215 | 220 | 450 | 266 | 30 | 18 | 16.3 | 5 | 14 | 85 | 45 | 48 | 12x8x80 | 74.8 |
| | | | 444 | 285 | | | | | | | | 360 | 165 | 130 | | | | | | | | | 200 | M10 | 21.8 | | | | | |
| 135 | 2 | 1 | 499 | 319 | 219 | 394 | 214 | 110 | 80 | 135 | 490 | 165 | 130 | 200 | M10 | 210 | 235 | 260 | 495 | 305 | 35 | 18 | 21.8 | 6 | 19 | 95 | 55 | 59 | 15x10x90 | 98.6 |
| | | | 557 | 358 | | | | | | | | | | | | | | | | | | | 453 | 253 | 140 | | | | | |
| 155 | 3 | 2 | 557 | 358 | 258 | 453 | 253 | 140 | 100 | 155 | 470 | 165 | 130 | 200 | M10 | 145 | 265 | 290 | 460 | 340 | 45 | 20 | 27.3 | 8 | 24 | 110 | 60 | 64 | 15x10x105 | 124.4 |
| | | | 582 | 383 | | | | | | | | 478 | 215 | 180 | | | | | | | | | 250 | M12 | 31.3 | | | | | |
| 175 | 5 | 3 | 645 | 415 | 290 | 507 | 262 | 150 | 120 | 175 | 530 | 215 | 180 | 250 | M12 | 167 | 293 | 320 | 516 | 385 | 45 | 20 | 31.3 | 8 | 28 | 110 | 65 | 69 | 18x10x105 | 190.4 |