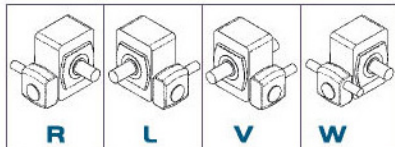
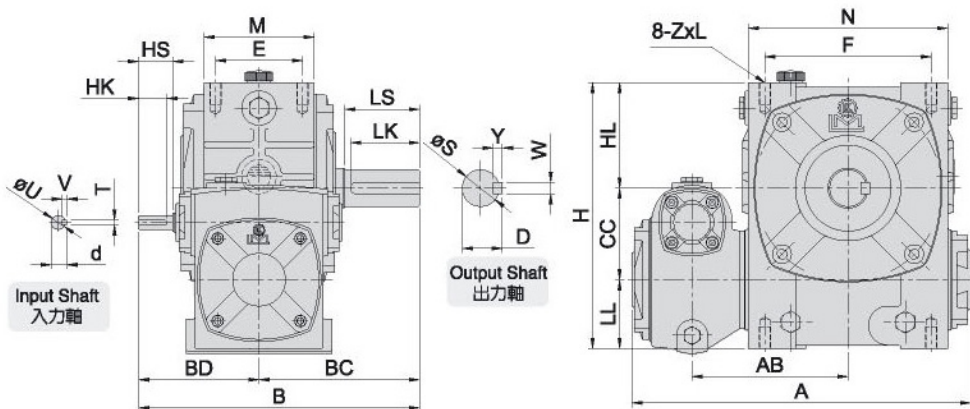


# MODEL : EH



軸向選擇 Shaft Direction



尺寸表 Dimension(m/m)

減速比 RATIO	馬力 HP		A	AB	B	BC	BD	CC	LL	HL	H	腳座 FOOT STOCK					入力軸 INPUT SHAFT				出力軸 OUTPUT SHAFT				重量 Weight (KG)
	1/100- 1/900	1/1000- 1/3600										E	F	M	N	ZxL	HS	U	d	TxVxHK	LS	S	D	WxYxLK	
60	1/16		218	100	198	110	88	60	42	75	177	55	100	77	125	M10x20	25	12	13.5	4x4x25	50	22	25	7x7x45	12
70	1/8		260	121	216	130	86	70	50	85	205	65	125	87	158	M10x20	25	12	13.5	4x4x20	60	28	31	7x7x55	17
80	1/4		295	136	245	140	105	80	60	92	232	75	145	98	175	M10x20	30	12	13.5	4x4x25	65	32	35	10x8x60	23.4
100	1/2	1/4	346	158	290	170	120	100	75	115	290	85	185	117	226	M12x24	40	15	17	5x5x35	75	38	41	10x8x70	41.8
120	1	1/2	407	185	330	190	140	120	95	155	370	100	220	132	264	M14x28	40	18	20	5x5x35	85	45	48	12x8x80	66.6
135	2	1	471	219	375	214	161	135	105	185	425	110	260	150	306	M16x35	50	22	25	7x7x45	95	55	59	15x10x90	97.2